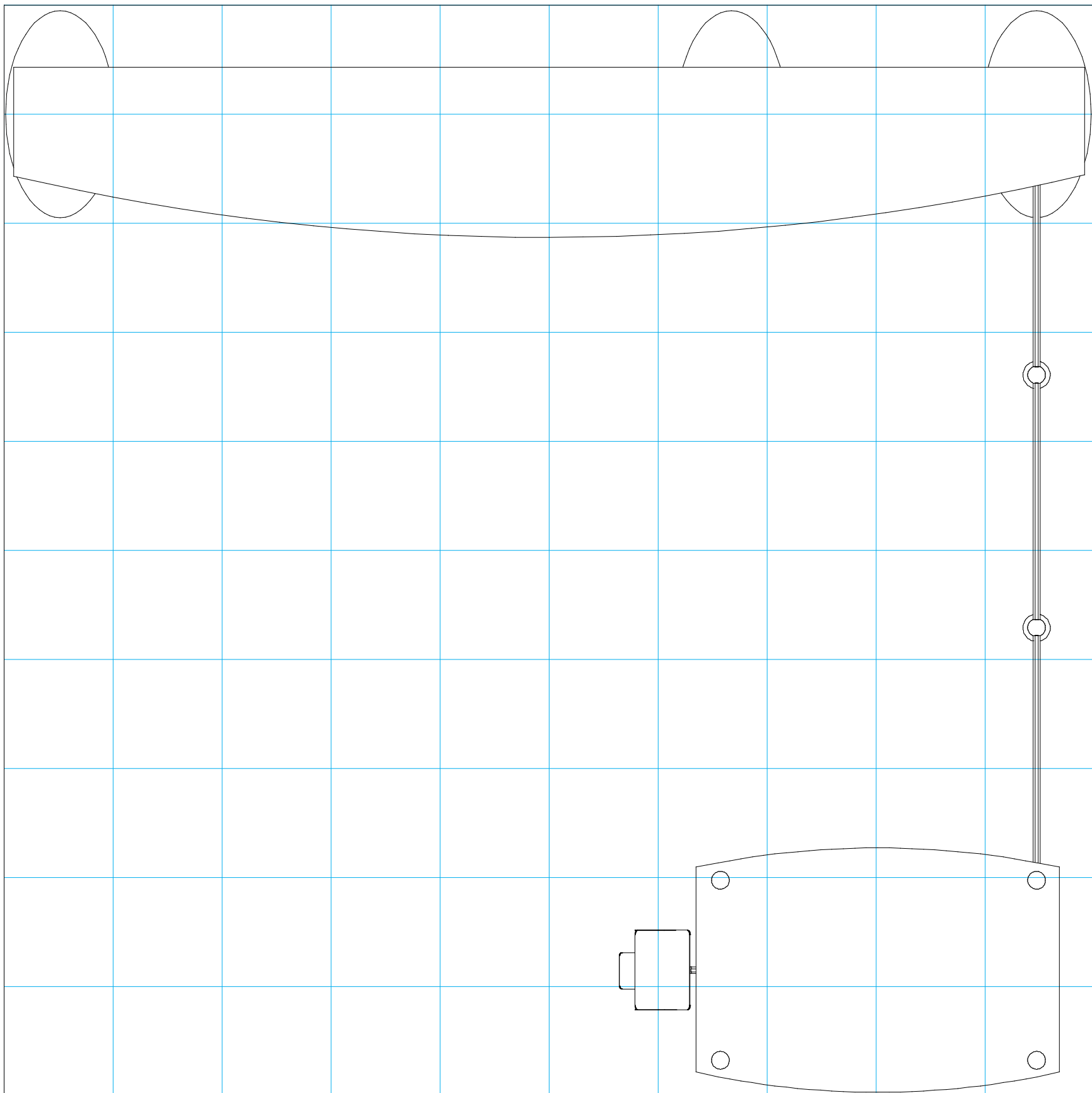


SETUP INSTRUCTIONS



= 1 sq foot

General Setup Instructions

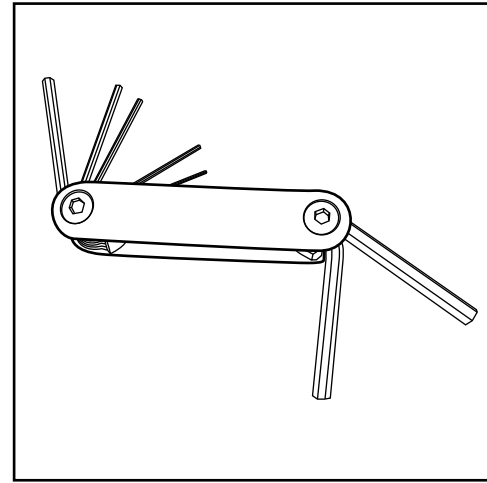
- Read entire setup instruction manual prior to unpacking parts and pieces.
- The setup instructions are created specifically for this configuration.
- Setup instructions are laid out sequentially in steps, including exploded views with detailed explanation for assembly.

Cleaning & Packing

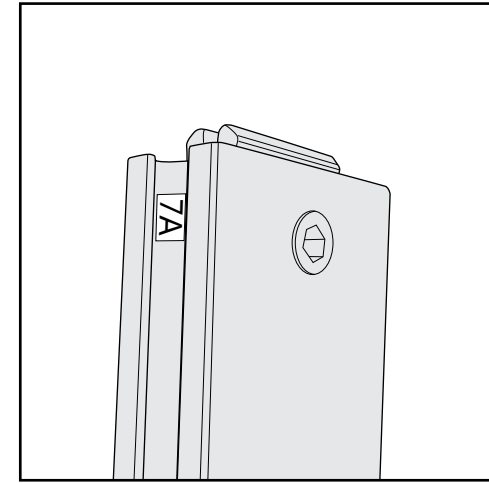
- For Cleaning Metal, Plex, & Laminate Parts: Use a **MILD NON-ABRASIVE** cleanser and soft cloth/paper towel to clean all surfaces.
- Keep exhibit components away from heat and prolonged sun exposure. **Heat and UV exposure will warp and fade components.**
- Retain all provided Packing Materials. All provided packing materials are for ease of repacking & component protection.

Disassembly

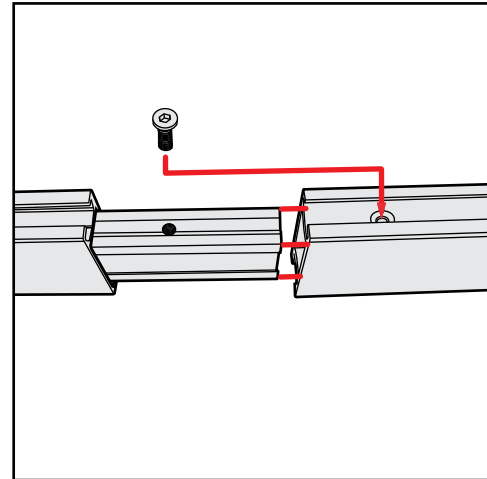
- For loss prevention, tighten all set screws and locks during disassembly.



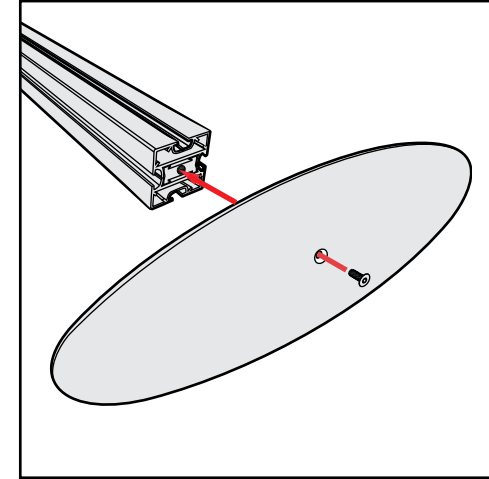
Hex Tool - Essential for Assembly



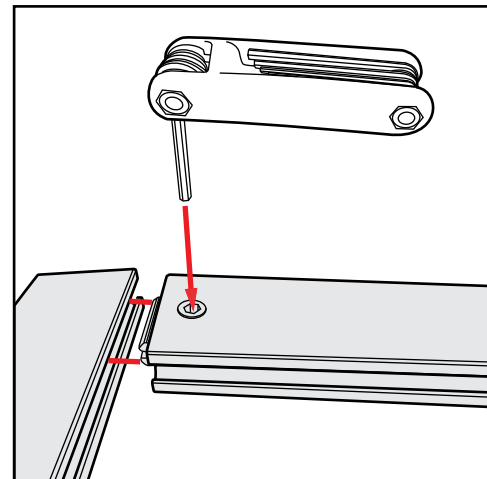
Part Identification - Numbering



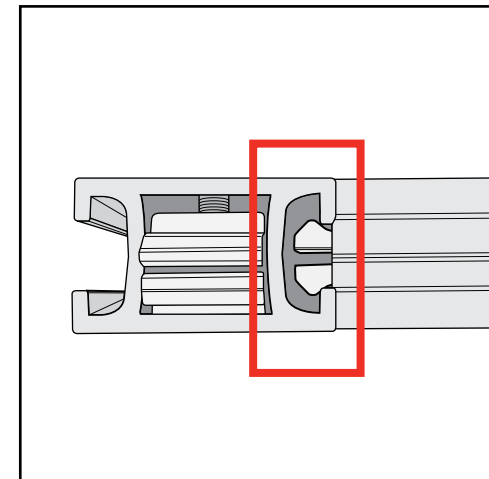
Spline Connection



Base Plate & Extrusion Connection



Extrusion & Lock Connection



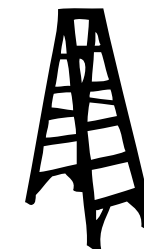
Engaged Lock



WARNING



DO NOT USE POWER TOOLS



LADDERS OR LIFTS
MAY BE REQUIRED



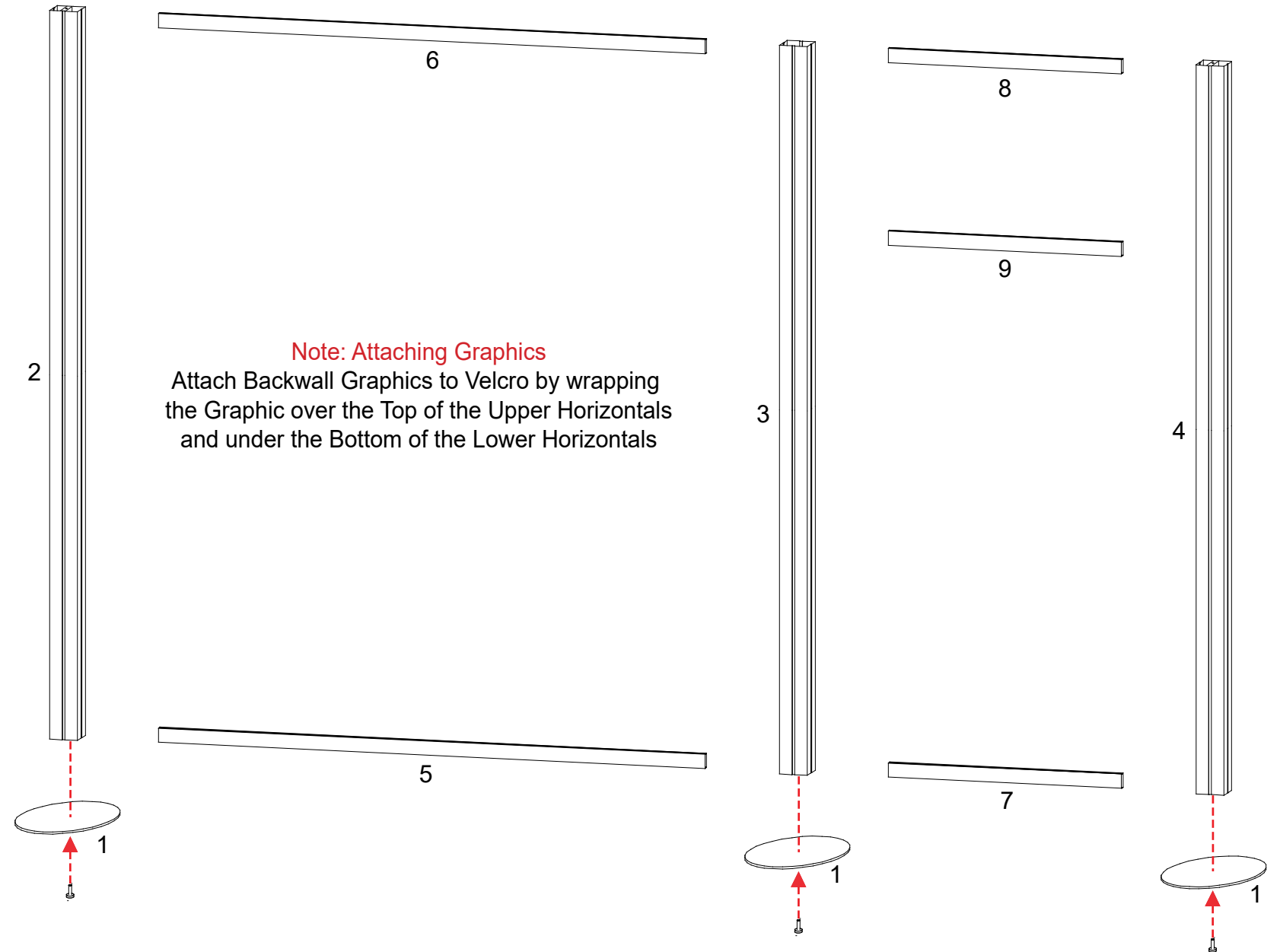
ALL CONNECTIONS MUST
BE TIGHTLY SECURED

CRATE PACKING

Part Number	Qty for Step	Description
1	3	Base Plates
2	1	92" h Vertical extrusion
3	1	92" h Vertical extrusion
4	1	92" h Vertical extrusion
5	1	70" Horizontal w/ Velcro attached to Top of member
6	1	70" Horizontal w/ Velcro attached to Bottom of member
7	1	30" Horizontal w/ Velcro attached to Top of member
8	1	30" Horizontal w/ Velcro attached to Bottom of member
9	1	30" Horizontal for Monitor Mount Attachment

Steps

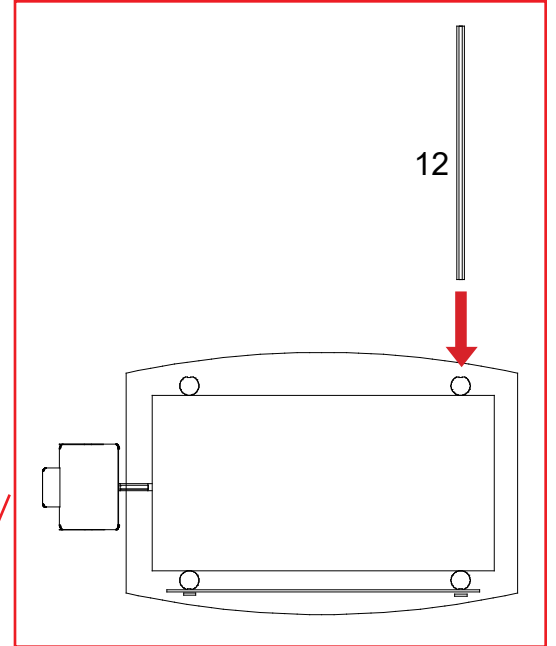
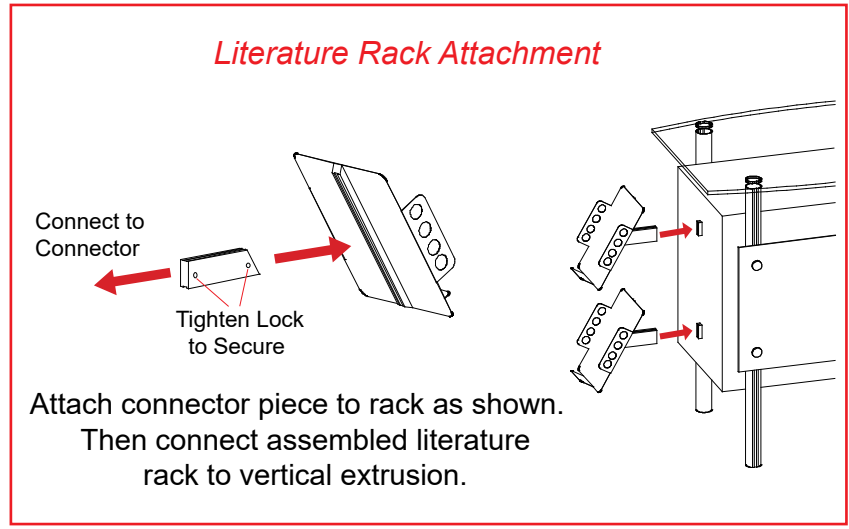
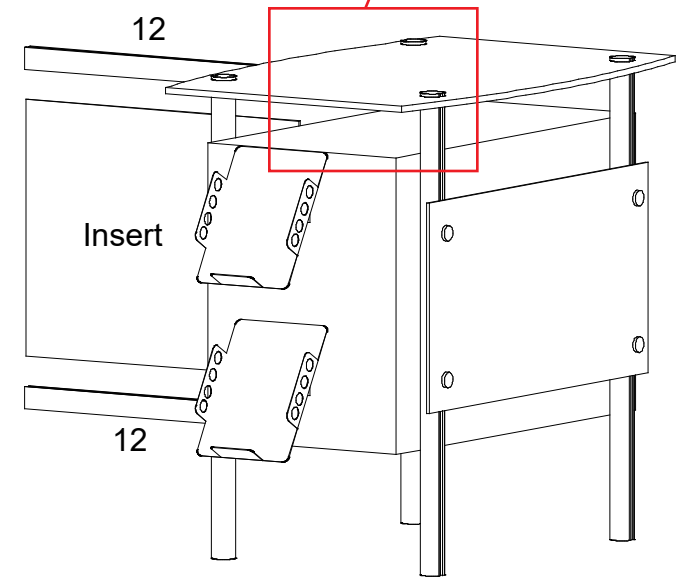
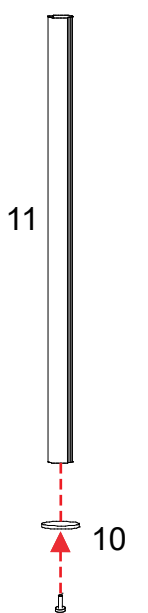
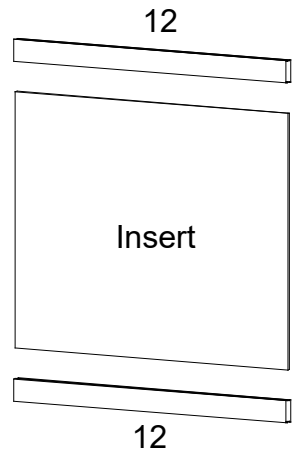
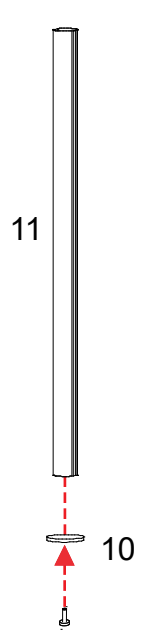
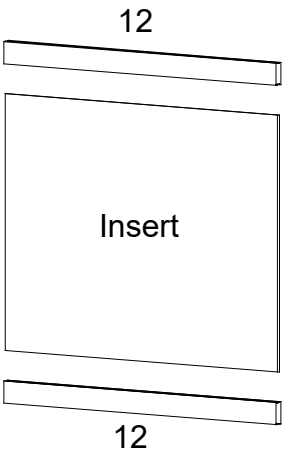
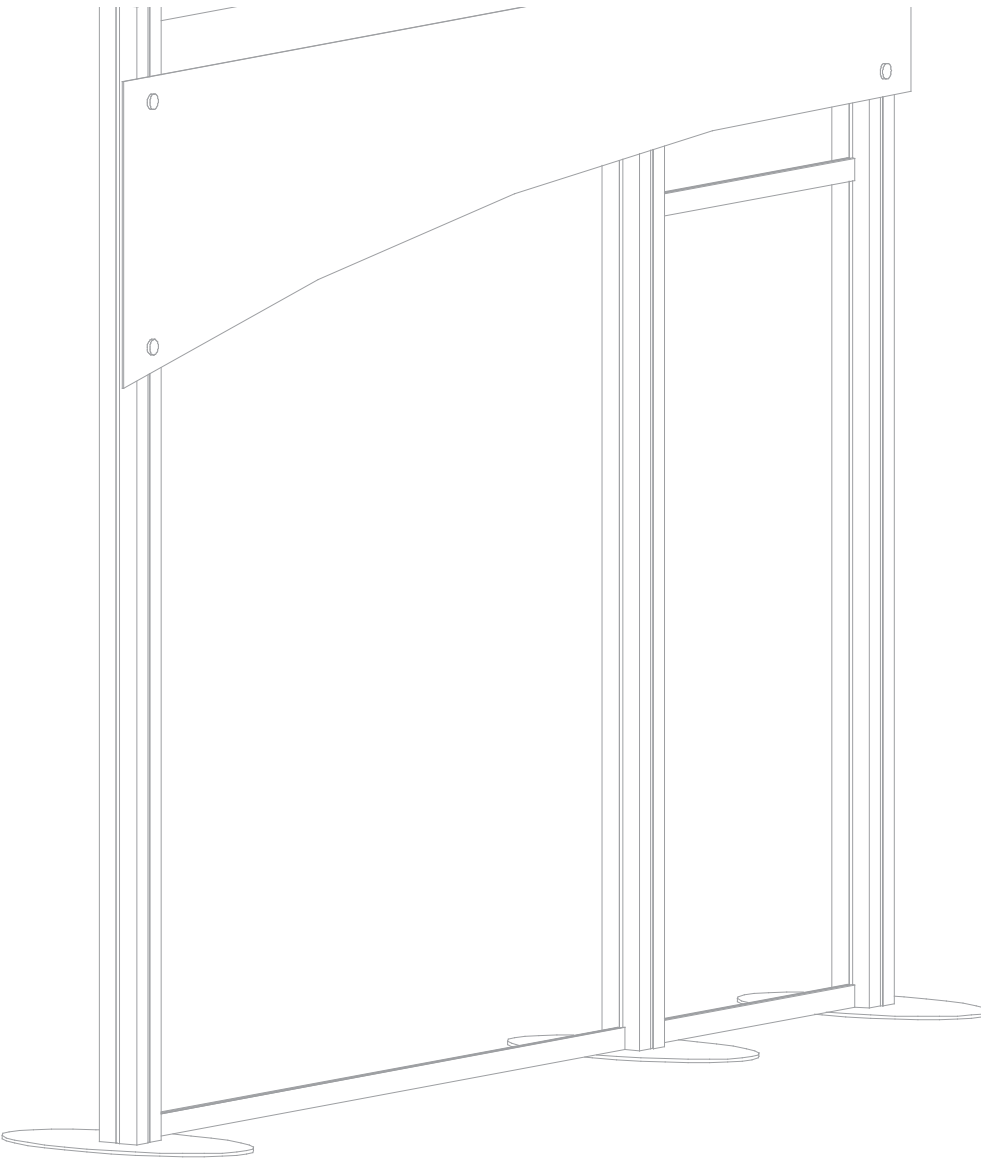
- 1) Attach vertical extrusions [2, 3 and 4] to base plates [1].
- 2) Attach horizontal extrusions [5 and 6] between vertical extrusions [2 and 3].
- 3) Attach horizontal extrusions [7, 8 and 9] between vertical extrusions [3 and 4].
- 4) Apply graphics to assembled backwall.



Part Number	Qty for Step	Description
10	2	Round Base Plates
11	2	36" h Vertical extrusion
12	6	26" w Horizontal Extrusion

Steps

- 1) Attach vertical extrusions [11] to base plates [10].
- 2) Attach horizontal extrusions [12] between vertical extrusions [11] and counter where indicated, placing inserts as shown.
NOTE: Upper horizontal must be flush with top of verticals [11].
- 3) Attach literature racks to counter, see Literature Rack Attachment.



Steps

- 1) Attach ceiling to atop of vertical extrusions [2 and 4].
- 2) Attach header to assembled backwall where indicated using screw caps.

